



Item No. _____

C119

Batch Ice Cream Freezer



Features

Serve homemade, medium overrun gourmet ice cream, custard, gelato, sorbet, Italian ice and slush. Mix and liquid flavorings may be poured into the convenient fill chute on the door. Fruits, candies and nuts can be folded in as product is being drawn into your container. Manufactured in Italy by Frigomat to ensure European equipment quality and technology to serve gelato or low to medium overrun super-premium ice cream.

Freezing Cylinder

One, 8.5 quart (8.0 liter).

Electronic Consistency Control

Automatically senses product viscosity to control the refrigeration system for perfect ice cream quality, batch after batch.

Variable Batch Size

Control automatically manages the freezing cycle in relation to the pre-charge of mix within a wide range of values.



Standard 6



LISTED
SA2650

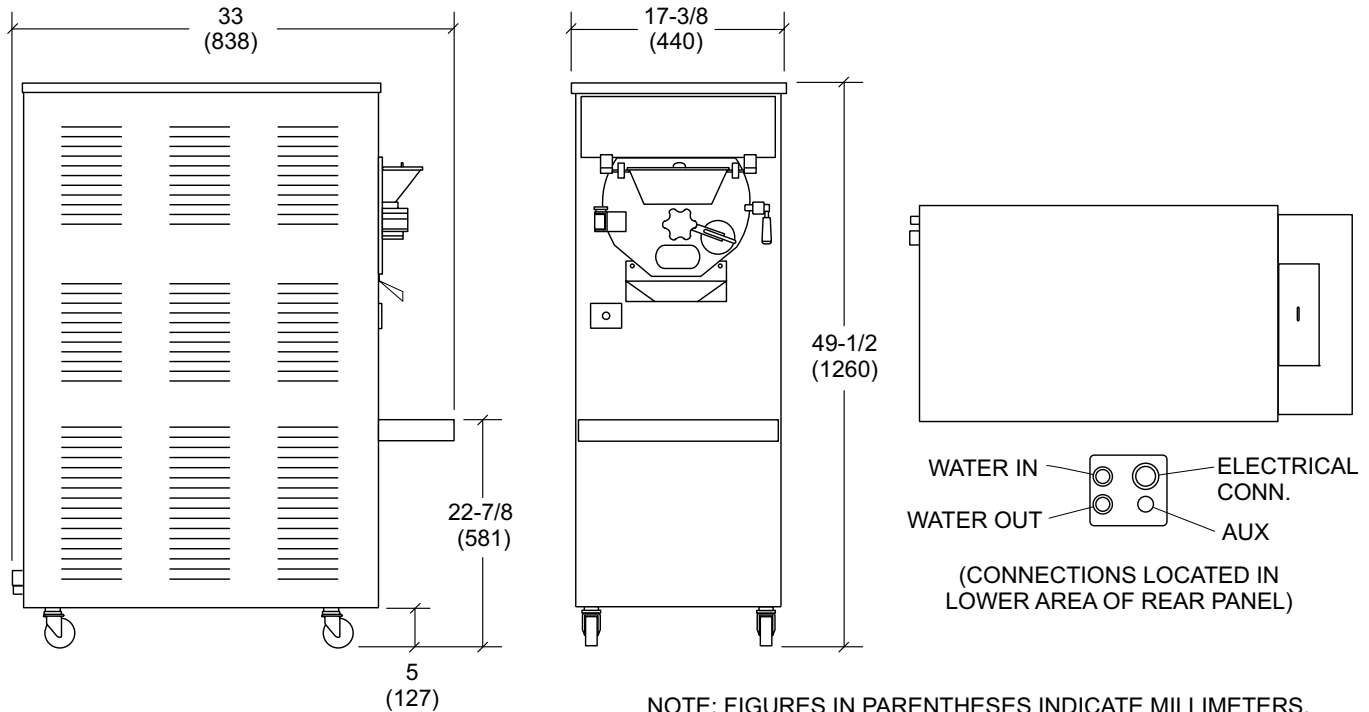


Selected 50
Hz. Models

Rockton, Illinois 61072
800-255-0626
Phone 815-624-8333 Fax 815-624-8000
www.taylor-company.com
e-mail: info@taylor-company.com

International Office
Taylor Company S.r.l.
Roma, Italy
Tel: **+39-06-420-12002** Fax: +39-06-420-12034
e-mail: romeoff@taylor-company.com

C119 Batch Ice Cream Freezer



Weights	lbs.	kgs.
Net	373	169
Crated	478	217
	cu. ft.	cu. m.
Volume	15.9	0.45

Dimensions	in.	mm.
Width	17-3/8	440
Water Cooled Depth	31-7/8	810
Air Cooled Depth	33	838
Height	49-1/2	1260

Counter Clearance: 5" (127 mm) mounted on standard casters

Electrical	Maximum Fuse Size	Minimum Circuit Ampacity	Poles (P) Wires (W)
208-230/60/1 Air	30	24	2P 3W
208-230/60/1 Water	30	24	2P 3W

This unit may be manufactured in other electrical and cooling characteristics. Refer to the local Taylor Distributor for availability. (For exact electrical information, always refer to the data label of the unit.)

Bidding Specs

Electrical: Volt _____ Hz _____ ph _____

Neutral: Yes No **Cooling:** Air Water NA

Options: _____

Specifications

Electrical

One dedicated electrical connection is required. See the Electrical chart for the proper electrical requirements. Manufactured to be permanently connected. Consult your local Taylor distributor for cord & receptacle specifications as local codes allow.

Beater Motor

One, 2 HP beater motor.

Refrigeration System

One, approximately 15,500 BTU/hr. R404A. (BTUs may vary depending on compressor used.)

Air Cooled

Minimum 6" (152 mm) on both sides and 12" (305 mm) at rear. Minimum air clearances must be met to assure adequate air flow for optimum performance..

Water Cooled

Water inlet and drain connections on back panel 1/2" MPT.

Continuing research results in steady improvements; therefore, these specifications are subject to change without notice.



Taylor Company,
A Division of Carrier Commercial Refrigeration, Inc.
Rockton, Illinois 61072
815-624-8333 **800-255-0626** Fax 815-624-8000
www.taylor-company.com

Printed in U.S.A.

058464-ADV 3/05